

# 119-1005, 6, 7 & 8

DCV combi valves



altecnic

# 119-1005,6, 7 & 8 dcv combi valves



## Application

With changes in building construction, there is a continual requirement for more compact and multi-functional valves. The Altecnic 119-100 combines the functions of a strainer, ball isolating valve and double check valve to meet these requirements.

The 119-100 butterfly handle DCV combi valve is the ideal compact valve to provide backflow prevention to the water supply.

The strainer provides protection from water supplies which may contain debris which may affect the performance of control valves.

The butterfly handle is compact and ideal where space is restricted.

Red and blue coloured handles give visual identification of the service.

The valve is a WRAS approved product making it the ideal valve for use with domestic pressure reducing valves, thermostatic mixing valves, pumps and showers.

The valve provides the benefits of ensuring the water is filtered and can be isolated, should this be required.

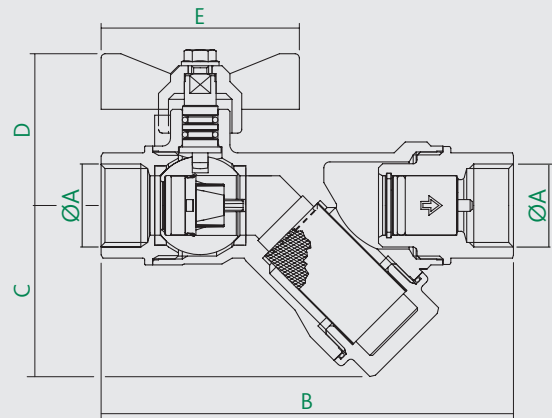
## Construction Details

Component	Material	Grade
Body	DZR copper alloy	BS EN 12165 CW602N
End connection	DZR copper alloy	BS EN 12165 CW602N
Ball seat	PTFE	
Ball	Brass - chrome plated	BS EN 12164 CW617N
Stem	Brass	BS EN 12164 CW614N
Stem seals	Nitrile	
Strainer screen	Stainless steel	AISI 304
Check valve cartridge		Polypropylene
Butterfly handle	Aluminium	

## Product Range

Red Lever	Blue Lever	Size	Connections
119-1005	119-1006	1/2"	1/2" F x 1/2" F
119-1007	119-1008	3/4"	3/4" F x 3/4" F

## Dimensions

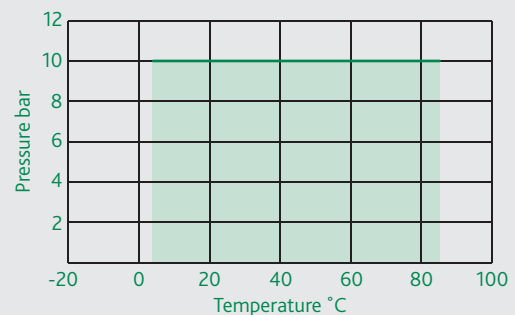


Ref No	ØA	B	C	D	E
119-1005 & 6	G 1/2	104	43	39	50
119-1007 & 8	G 3/4	106.5	43	39	50

## Technical Specification

Conforms to:	BS EN 13959
Max. pressure:	10 bar
Min. pressure:	0.1 bar
Max. temperature:	85°C
Strainer mesh size:	400 µ - 0.4 mm
Connections:	BS EN ISO 228
WRAS approved product	
PED Directive classification Group 2 Liquids	SEP

## Pressure - Temperature Diagram



## Installation

The valves are easy to install with just two joints to make.

© Patents & Design Altecnic 2021

Altecnic Ltd retains all rights (including patents, designs and copyrights, trademarks and any other intellectual property rights) in relation to all information provided on or via the website, brochures or any other documents, including all texts, graphics and logos, contained on the website, in brochures or in any other documents published in the name of or on behalf of Altecnic Ltd in any form, without prior written consent of Altecnic Ltd.

Altecnic Ltd Mustang Drive, Stafford, Staffordshire ST16 1GW

T: +44 (0)1785 218200 E: sales@altecnic.co.uk

Registered in England No: 02095101

altecnic.co.uk

AL 296 02-08-21

E & O.E

© Altecnic Limited. 2021

ALTECNIC™

altecnic